



OPERATORS MANUAL

EL SERIES

EL-2645e

EL-3245e

EL-4045e

EL-4555XCe

Revision History

REVISION NUMBER	DATE	UPDATE
01	October 2022	Specifications, General Safety, Location of Safety Indicators, Electrical Circuit, Hydraulic Circuit, Description of Symbols and Hazard Legends, Inspection of Symbols and Hazard Legends, For the Electric Motor Drive Model , Periodic Maintenance Schedule
02	November 2022	Description of Symbols and Hazard Legends, Inspection of Symbols and Hazard Legends, General Safety, Location of Safety Indicators
03	January 2023	Purpose of Uses, Personal Safety, Safety of the Work Area
04	April 2023	Description of Symbols and Hazard Legends, Inspection of Symbols and Hazard Legends
05	December 2024	All manual titles been updated.
06	March 2025	The operator manual and the maintenance manual are separated.

Important



Please read carefully and understand the safety principles and operating instructions before using this machine, and observe them.

Only trained and authorized persons are allowed to operate this machine.

This guide should be considered as an integral reference and should always accompany the machine.

The operator manual is a translation of the original instructions.

Safe operation of this product can be assured if you follow the operating instructions contained in this manual.

Please contact us if you have any questions.

General Information:

2647 Hwy 175
Richfield, WI 53076
www.axcs.com

Service Information:

+1-262-297-5195
service@axcs.com

Parts Information:

+1-262-297-5196
parts@axcs.com

Owners, Users and operators:

We appreciate your choice of our machine for your application. Our number one priority is user safety, which is best achieved by our joint efforts. We feel that you make a major contribution to safety if you, as the equipment users and operators:

1. Comply with employer, job site and governmental rules.
2. Read, understand and follow the instructions in this and other manuals supplied with this machine.
3. Use good safe work practices in a commonsense way.
4. Only have trained / certified operators, directed by informed and knowledgeable supervision, running the machine. If there is anything in this manual that is not clear or which you believe should be added, please contact us.

CONTENTS

Purpose of Uses	4	Training Supervision	42
Introduction	6	Operator Responsibility.....	42
The Relevant Conditions of Using the Equipment.....	7	Periodic Maintenance Schedule.....	43
Personal Safety	8	Pre-Start Inspection Checklist.....	45
Safety of the Work Area	8	Pre-Delivery/Annual/Frequent Inspections....	47
Battery Safety	14	Specifications	50
MEWP Overview.....	18	Notes.....	52
Platform Control Panel	21		
Ground Control Panel.....	22		
Inspection	23		
Inspection at the Ground Control Panel	25		
Inspection at the Platform Control Panel.....	25		
Fundamentals	28		
Workplace Inspection	28		
Emergency Stop	29		
Operation from the Ground Control Panel.....	29		
Operation from the Platform Control Panel ...	32		
Battery and Charger Instructions.....	33		
Charging the Battery.....	33		
Operating Characteristics and Limitations	35		
Lubrication.....	35		
Transport and Lifting Instructions	36		
Securing to Truck or Trailer for Transit	36		
Lifting the Machine with a Forklift.....	38		
Storage.....	39		
Emergency Lowering	40		
Personnel Training	41		
Operator Training.....	41		

About this manual

AXCS Equipment appreciates your choice of our machine for your application. Our number one priority is user safety, which is best achieved by our joint efforts. This book is an operation and daily maintenance manual for the user or operator of a AXCS Equipment machine.

This manual should be considered a permanent part of your machine and should remain with the machine at all times. If you have any questions, contact AXCS Equipment.

Intended Use and Familiarization Guide

The intended use of this machine is to lift personnel, including tools, and materials to an aerial work site. Before operating the machine, it's the operator's responsibility to read and understand this familiarization guide.

- ✓ Each person must be trained to operate a Mobile Elevating Work Platform (MEWP).
- ✓ Familiarization with the MEWP must be given to each person who is authorized, competent and trained.
- ✓ Only trained and authorized personnel should be permitted to operate the machine.
- ✓ The operator is responsible to read, understand, and obey the manufacturer's instructions and safety rules provided in the Operator's Manual.
- ✓ The Operator's Manual is located in the manual storage container, at the platform.

- ✓ For specific product applications, see **Contacting The Manufacturer** (AXCS Equipment).

Contacting the Manufacturer

At times it may be necessary to contact AXCS Equipment. When you do, be ready to supply the model number and serial number of your machine, along with your name and contact information.

PURPOSE OF USES



The intended uses of this machines is to lift tools and materials with personnel to access an airborne reach area.

Scissors lift is a work tool used to easily reach places with high accessibility. It is used for many different industries.

It is one of the construction machines used for the construction machines used for the transfer of products especially on the exterior of the buildings and in the high parts of the warehouses in the factories. It is used not only for load transfer, but also for works such as repairs and cleaning.

Scissors lift platform is a platform used in works such as operations, repair, renovation or cleaning that need to be done to inner or outer wall of buildings. It rises upwards from where it is and thus allows easy access to hard-to-reach places.

It is robust, therefore it provides high efficiency in terms of occupational safety. Scissors lift platform models are one of the work tools that can be used both inside and outside the building.

IMPORTANT



Care should be taken when using the machine. Because a small mistake to be made or a simple rule that will not be followed can cause loss of life and property. Therefore, we must follow the rules in the prepared manuals. However, the machine may be misused. For example;

It is a mistake not to maintain the machine regularly, it will damage the machine. It may be thought that the maintenance of the machine is neglected and there is no need for daily checking, but this is not the case. You should check the battery condition every day. Suppose you didn't check it and the machine ran out of charge while it was right on the platform. Downloading the machine is possible using emergency lowering procedures, but this can cause panic and fear in the person using the machine, which can lead to bigger problems. It may fall from the platform because it stops suddenly, out of fear or if balance cannot be achieved. If the mistake made here is made by using the seat belt, the damage may not be much, but if there is no seat belt, loss of life may occur.

Because the machine stops suddenly, a hit may occur. This results in loss of life and property.

⚠ WARNING Therefore, all necessary rules must be followed when using the lift.

PROHIBITIONS



- Never use a faulty machine (hydraulic leaks, worn tires, malfunctions).
 - Never operate the machine controls suddenly.
 - Never place the machine against a structure to hold that structure in place.
 - Never use the machine to tow other machines or to drag materials.
 - Never expose the batteries or electrical components to water (pressure cleaner, rain).
 - Never disable the safety devices.
 - Do not make contact with a fixed or mobile obstacle. The contact can cause premature deterioration of the structure and lead to the corruption of certain safety elements.
 - Do not climb onto the covers.
 - Never increase the surface area of the platform by using floor extensions or accessories not authorized by AXCS Equipment.
 - Never leave the hydraulic cylinders fully extended or retracted before switching of the machine, or during an extended stop period.
 - Never use the machine with material or objects suspended from the guardrail.
 - Never use the machine with elements that can increase the wind force (panels).
- Of the machine; approval must be obtained from AXCS Equipment for changes affecting its balance, strength or performance. If replacement is required, contact your authorized AXCS Equipment distributor or AXCS Equipment.
 - Never increase the working height by using attachments (ladder).
 - Never use the guardrail as a means of access for climbing in or out of the platform. The platform can be easily accessed in its stowed position. For machines fitted with: Steps have been provided for this purpose where required.
 - Never climb on the guardrail.
 - Do not use the machine if the guardrails are not correctly installed and locked.
 - Never use the machine for any other purpose than to transport people, their tools and material to the desired place.
 - Never drive fast in narrow or cluttered areas. Keep speed under control in bends.
 - Never tow the machine over extended distances (it must be transported on a trailer).

INTRODUCTION



Owners, Users and Operators:

You have purchased an Scissor Lift. Thank you for preferring our machines.

If you exactly observe the maintenance and use instructions, you will definitely get the best performance.

The purpose of the guide is to help you achieve this.

Please note the following critical points:

- You must comply with the safety instructions relating to the machine itself, its operation and the surrounding area.
- You must use the machine within prescribed performance limits.
- Proper periodic maintenance is essential for maximum lifetime.

During and after the warranty period, AXCS Equipment after-sales service is always at your disposal.

In case of an inquiry or claim, please contact our after-sales department and indicate the machine type, serial number and operating time.

When ordering consumables or spare parts, please additionally use the "Spare Parts" catalogue to obtain replacement parts secured by excellent performance guarantee. This guide is delivered with your machine.

Danger



Failure to observe the instructions and safety rules in this manual will result in death and serious injury.

Do not operate this machine unless the following conditions are met:

- ✓ Get familiar with and implement the safe operation principles illustrated in this manual.
- ✓ **Avoid dangerous conditions.**

Get familiar with and understand the safety rules before proceeding with the next section.

1. Always perform a pre-operation inspection.
 2. Always perform function tests before operation.
 3. Examine the service area.
 4. Use this machine appropriately and only for its intended purpose.
- ✓ Read and understand the manufacturer's instructions and safety rules, safety and operating manuals, and machine labels.
 - ✓ Read, understand and observe the employer's safety rules and workplace regulations.
 - ✓ Read, understand and comply with all applicable legal regulations.
 - ✓ Ensure that the necessary training has been received to use this machine safely.

Classification of Hazards



The labels on this machine contain various symbols, colour codes and warning statements as follows:

Safety warning symbols warns you of potential personal injuries.



Observe all safety statements in this symbol to avoid potential injury or death.

▲ DANGER Otherwise, hazards would occur, resulting in death or severe injury.

▲ WARNING Indicates a hazardous condition that, in case of failure to observe the warning statement, may result in mild to moderate injuries.

NOTICE Indicates a property damage. For information purposes.

Authorized persons should take the necessary measures to keep these labels in good and legible condition. Upon demand, additional labels should be procured from AXCS Equipment.

The Relevant Conditions of Using the Equipment

The surface of work ground should be flat and hard with no obstacles in air and the safety distance between the equipment and high-tension line is adequate.

The environment temperature should be within $-20^{\circ}\text{C}\sim 40^{\circ}\text{C}$; Height above sea level $\leq 1000\text{m}$.

The environment humidity $\leq 90\%$.

Electrical power:

AC $110\sim 230\text{V}\pm 10\%$, $50\sim 60\text{Hz}$.

The area/place where the machine will be used should not be dark (this may cause you to hit the machine somewhere or a person). Do not use the machine in such an environment. Especially in closed areas (where there is no or little daylight), the environment where the machine will be used must be illuminated with at least 200 lux.

Intended Use

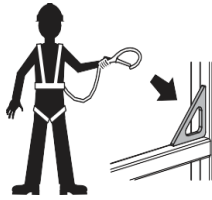
This machine is designed to lift workers together with the accompanying tools and materials to access an aerial area.

Maintenance of Safety Signs

Replace all defective or damaged safety signs. Always prioritize the operator safety. Use mild soap and water to clean the safety signs. Do not use solvent-based cleaning agents as they may damage the material used to manufacture the safety sign.

Personal Safety

Anti-Fall Protection



When operating the machine, the personnel lift fall protection equipment is required.

Users in the vehicle must wear a safety belt or safety strap in accordance with the legal regulations. Hook the seat belt to the binding on the platform.

Link mechanism(s), attachment point(s) and moving link mechanism(s); smoothly that it is not possible for the attached personal protective equipment to become unintentionally independent. It is must be designed to guarantee and be accepted as personal protective equipment.

There must be sufficient safety belts for the nominal number of persons on the platform. If the safety belt is designed for multiple users, can connect to a single safety belt.

Operators must comply with employer, job site and governmental rules regarding the use of personal protective equipment.

All anti-fall protection equipment must comply with applicable legal regulations and must be inspected and used as per the manufacturer's instructions.

The person who will use the personnel lift platform;

1. Must wear the safety belt.
2. Must wear the helmet.
3. Must wear the protective vest.
4. Lift should be used without sitting on or leaning over the platform railings.

Safety of the Work Area

Electrocutation Hazards

This machine is not electrically insulated and will not provide protection from contact with or proximity to electrical current.



Maintain safe distances from electrical power lines and apparatus in accordance with applicable governmental regulations and the following chart.



Line Voltage	Minimum Safe Approach Distance
0 – 50 KV	3.0 m
50 – 200 KV	4.6 m
200 – 350 KV	6.1 m
350 – 500 KV	7.6 m
500 – 750 KV	10.6 m
750 – 1000 KV	13.7 m

Allow for platform movement, electrical line sway or sag and beware of strong or gusty winds.

Keep away from the machine if it contacts energized power lines. Personnel on the ground or in the platform must not touch or operate the machine until the power lines are de-energized.

Do not operate the machine during lightning or storms.

Do not use the machine as a ground for welding.

⚠ Tip-over Hazards

Occupants, equipment and materials must not exceed the maximum platform capacity or the maximum capacity of the platform extension.

Maximum capacity – EL-2645e

- Maximum occupants 3
- Platform allowable max. load 450 kg

Maximum capacity – EL-3245e

- Maximum occupants 2
- Platform allowable max. load 300 kg

Maximum capacity – EL-4045e

- Maximum occupants 2
- Platform allowable max. load 300 kg

Maximum capacity – EL-455XCe

- Maximum occupants 2
- Platform allowable max. load 350 kg

Weight of optional parts and accessories such as pipe skids and panel skids reduce the nominal platform capacity and therefore should be taken into account when calculating the total platform load. Refer to the labels delivered with the optional parts and accessories.

If you are using accessories, read, understand, and observe the accompanying labels and instructions.

Do not alter or disable the limit switches.

Work Area Safety

Do not raise the platform unless the machine is on a firm, level surface.

Do not depend on the tilt alarm as a level indicator. The tilt alarm sounds on the chassis only when the machine is on a slope.



If the tilt alarm sounds:
Lower the platform carefully. Move the machine to a firm, level surface.



When raising the platform, observe the permissible manual force values and number of persons specified below.



Do not operate the machine in strong or gusty winds. Do not increase the surface area of the platform or the load.



Increasing the area exposed to the wind will decrease machine stability.

The Beaufort Wind Scale

The Beaufort Scale is an empirical measure that relates wind speed to observed conditions at sea or on land. Its full name is the **Beaufort windforce scale**.

Beaufort number	Wind type	Wind speed	Wave height	Land conditions
0	Calm	0 m/s	0 m	Calm. Smoke rises vertically
1	Light air	0-2 m/s	0 m	Wind motion visible in smoke
2	Light breeze	2-3 m/s	1 m	Wind felt on exposed skin. Leaves rustle
3	Gentle breeze	3-5 m/s	1 m	Leaves and smaller twigs in constant motion
4	Moderate breeze	5-8 m/s	1-2 m	Dust and loose paper is raised. Small branches move
5	Fresh breeze	8-11 m/s	2-3 m	Smaller trees sway
6	Strong breeze	11-14 m/s	3-4 m	Large branches in motion. Whistling heard in overhead wires. Umbrella use becomes difficult
7	Near gale	14-17 m/s	4-5 m	Whole trees in motion. Some difficulty when walking into the wind
8	Gale, fresh gale	17-21 m/s	5-7 m	Twigs broken from trees. Cars veer on road
9	Severe gale	21-24 m/s	7-10 m	Light structure damage
10	Storm whole gale	24-28 m/s	9-12 m	Trees uprooted. Considerable structural damage
11	Violent storm	28-33 m/s	12-18 m	Widespread structural damage
12	Hurricane force	≥ 33 m/s	≥ 14 m	Considerable and widespread structural damage

Use extreme care and slow speeds while driving the machine in a stowed position across uneven terrain, debris, unstable or slippery surfaces and near holes and drop-offs.

Do not drive the machine on or near uneven terrain, unstable surfaces or other hazardous conditions with the platform raised.

Do not push off or pull toward any object outside of the platform.

Batteries are used as counterweight and are critical to machine stability. Do not replace the battery box without the manufacturer's permission. Do not use batteries that weight less than the original equipment.

EL-2645e:

Maximum Manual Force	Maximum Number of Persons
400 N indoor use only	3
200 N outdoor use	1

EL-3245e, EL-4045e, EL-4555XCe:

Maximum Manual Force	Maximum Number of Persons
400 N indoor use only	2
200 N outdoor use	1

Do not alter or disable machine components that in any way affect safety and stability.

Do not replace items critical to machine stability with items of different weight or specification.

Do not place loads outside the platform perimeter.

Do not modify or alter an aerial work platform without prior written permission from the manufacturer.



Mounting attachments for holding tools or other materials on to the platform, toe boards or guardrail system can increase the weight in the platform and the surface area of the platform or the load.

Do not place or attach fixed or overhanging loads to any part of this machine.



Do not place ladders or scaffolds in the platform or against any part of this machine.

Do not transport tools and materials unless they are evenly distributed and can be safely handled by person(s) in the platform.

Do not use the machine on a moving or mobile surface or vehicle.

Be sure all tires are in good condition and castle nuts are properly tightened.

Do not use the platform controls to free a platform that is caught, snagged or otherwise prevented from normal motion by an adjacent structure. All personnel must be removed from the platform before attempting to free the platform using the ground controls.

Batteries are used as counterweight and are critical to machine stability. Do not replace the battery box without the manufacturer's permission. Do not use batteries that weigh less than the original equipment.

Do not use the machine as a crane.

Do not place or attach fixed or overhanging loads to any part of this machine.

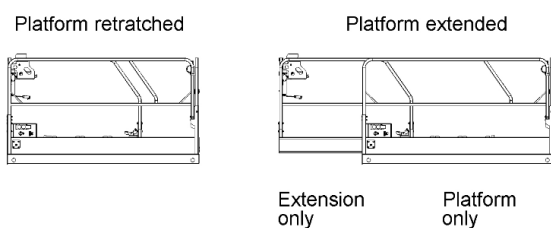
Do not push the machine or other objects with the platform.

Do not operate the machine with the chassis trays open.

Do not contact adjacent structures with the platform.

Do not alter or disable the limit switches.

Do not tie the platform to adjacent structures.



Hazards Associated with Slopes

Do not drive the machine on a slope that exceeds the slope and side slope rating of the machine. Slope rating applies to machines in the stowed position.

Maximum slope rating, stowed	25% (14°)
Maximum side slope rating stacked	15% (9°)

Note: Slope rating is subject to ground conditions and adequate traction. See "Driving on a Slope" in the Operating Instructions section.

Fall Hazards

Users in the vehicle must wear a safety belt or safety strap in accordance with the legal regulations. Hook the pull cord to the bolt on the platform.



Do not sit, stand or climb on the platform guardrails.



Maintain a firm footing on the platform floor at all times.

Do not climb down from the platform when raised.

Keep the platform floor clear of debris.

Attach the platform entry chain or close the entry gate before operating.

Do not enter in or exit the platform if the machine is in stowed position and platform is not at ground level.

⚠ Collision Hazards

Be aware of limited sight distance and blind spots when driving or operating.



Be aware of extended platform position when moving the machine.



Check the work area for overhead obstructions or other possible hazards.



Be aware of crushing hazards when grasping the platform guard rail.

Be aware of the dangers of the platform railing.

While using the machine, operators should take into account the warning labels on the scissors of people near the platform; While the machine is running, the person should keep a distance from the machine and stay away from the scissors against the risk of crushing the scissors in the machine (against the danger of shaking hands when using the scissors).

Operators must comply with employer, job site and governmental rules regarding the use of personal protective equipment.



Observe and use colour-coded direction arrows on the platform controls and platform decal plate for drive and steer functions.



Do not lower the platform unless the area below is clear of personnel and obstructions.

Limit travel speed according to the condition of the ground surface, congestion, slope, location of personnel, and any other factors which may cause collision.

Do not operate a machine in the path of any crane unless the controls of the crane have been locked out and/or precautions have been taken to prevent any potential collision.

No stunt driving or horseplay while operating a machine. The machine must be on a level surface or secured before releasing the brakes.

⚠ Crushing Hazard

Keep hands and limbs out of scissors.

Keep hands clear when folding rails.

Maintain a firm grasp on the platform rail when removing the rail pins. Do not allow the platform guard rails to fall.

Use common sense and planning when operating the machine with the controller from the ground. Maintain safe distances between the operator, the machine and fixed objects.

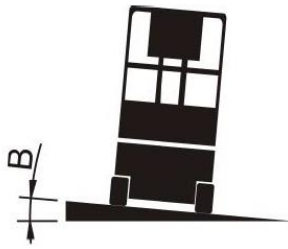
⚠ Operation on Slopes Hazard

Do not drive the machine on a slope that exceeds the slope and side slope rating of the machine.

Slope rating applies to machines only in the stowed position.



Maximum slope rating stowed



Maximum side slope rating stowed

Model	A	B
EL-2645e	25% (14°)	2°
EL-3245e	25% (14°)	2°
EL-4045e	25% (14°)	2°
EL-4555XCe	25% (14°)	2°

Note: Slope rating is subject to ground conditions and adequate traction.

To determine the slope grade

Measure the slope with a digital inclinometer OR use the following procedure. You will need:

- Carpenter's level
- Straight piece of wood, at least 1 m long
- Tape measure

Lay the piece of wood on the slope.

At the downhill end, lay the level on the top edge of the piece of wood and lift the end until the piece of wood is level.

While holding the piece of wood level, measure the distance from the bottom of the piece of wood to the ground.

Divide the tape measure distance (rise) by the length of the piece of wood (run) and multiply by 100.

Example:

Run = 3.5 m

Rise = 0.5 m



$$0.5 \text{ m} \div 3.5 \text{ m} = 0.142 \times 100 = 14.2\%$$

If the slope exceeds the maximum slope or side slope rating, the machine must be winched or transported up or down the slope.

⚠ Explosion and Fire Hazards

Charge the battery only in a well-ventilated area cleared of sparks, flames and lighted tobacco.

Do not operate the machine or charge the battery in hazardous locations or locations where potentially flammable or explosive gases or particles may be present.

⚠ Bodily Injury Hazard

Do not operate the machine with a hydraulic oil or air leak. An air leak or hydraulic leak can penetrate and/or burn skin.

Improper contact with components under any cover will cause serious injury. Only trained maintenance personnel must access compartments. Access by the operator is only advised when performing a pre-operation inspection. All compartments must remain closed and secured during operation.

Damaged Machine Hazards



Do not use a damaged or malfunctioning machine.

Conduct a thorough pre-operation inspection of the machine and test all functions before each work shift. Immediately tag and remove from service a damaged or malfunctioning machine.

Be sure all maintenance has been performed as specified in this manual and the appropriate service manual.

Be sure all decals are in place and legible.

Be sure the operator's, safety, and responsibilities manuals are complete, legible and in the storage container located on the platform.

Component Damage Hazard

Do not use the machine as a ground for welding. Do not use any battery charger greater than 24V to charge the batteries. Only use the chargers recommended by AXCS Equipment.

The charger must match the battery. The lithium battery cannot be charged by the lead-acid battery charger. The lead-acid battery cannot be charged by the lithium battery charger.

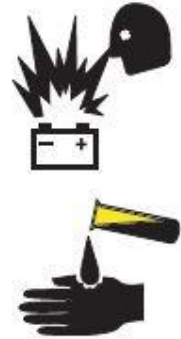
Do not attempt to open or modify the battery in any way.

Battery Safety

Burn Hazards

 **WARNING**

Batteries contain acid. Always wear protective clothing and eyewear when working with batteries. Avoid spilling or contacting battery acid.



Neutralize battery acid spills with baking soda and water.

The battery pack should be in upright position.

Do not expose the batteries or the charger to water or rain during charging.

If the lithium battery local fire, can be buried in sand, such as hot gas, it needs a lot of water foam to cool treatment.

Explosion Hazards

 **WARNING**

Keep sparks, flames and lighted tobacco away from batteries.

Batteries emit an explosive gas.

The battery tray should remain open during the entire charging cycle.

Do not contact the battery terminals or the cable clamps with tools that may cause sparks.



⚠ Electrocutation Hazards

Connect the battery charger to a grounded, AC 3-wire electrical outlet only.



Inspect daily for damaged twines, cables and wires.

Replace damaged items before operating.

Avoid electrical shock from contact with battery terminals. Remove all rings, watches and other jewellery during the operation.

The network where the battery will be charged must be protected with a 30 mA leakage current protection relay.

Metallic parts of the battery cells are always electriferous. Therefore, no foreign objects or tools may be placed on the batteries. Avoid electrical shock from contact with battery terminals. Remove all rings, watches and other jewelry. If the battery terminal is to be touched, it should be operated with insulating gloves to prevent the risk of high voltage electric shock.

⚠ Tip-Over Hazard

Do not use batteries that weigh less than the original equipment. Batteries are used as counterweight and are critical to machine stability. Do not replace the battery box without the manufacturer's permission.

Lifting Hazard

Use appropriate lifting means and proper lifting techniques when lifting batteries.

The lithium battery shall be operated smoothly in the process of handling and assembly, and collision and other impact phenomena are strictly prohibited.

⚠ Environmental Hazard

30°C battery temperature is considered the rated temperature. Higher temperatures reduce the service life, while lower temperatures reduce the available capacity.45°C is the upper limit temperature and is not permissible as an operating temperature. The rated temperature range of lithium battery is-30°C~55°C.if it is found that the temperature of the battery exceeds 60°C during use, the battery should be stopped immediately and put aside separately.

Batteries must not be exposed to sunlight without protection.

⚠ Transportation and Storage Hazard

Charge the battery as soon as receive the machine or after long distance transportation When the battery is stored for a long time, it needs to be charged regularly. Failure to charge in time may permanently damage the battery.

⚠ Pollute Hazard



Old batteries with this marking are recyclable goods and must be sent for recycling. Used batteries which are not sent for recycling are to be disposed of as special waste under the relevant regulations.

Lockout after Each Use

1. Select a safe parking location (firm level surface, clear of obstruction and away from the crowded or/and traffic).
2. Lower the platform.
3. Shut down the main power.
4. Push in the Emergency Stop buttons.
5. Turn the key switch to the off position and remove the key to secure from unauthorized use.
6. Chock the wheels.
7. Charge the batteries.

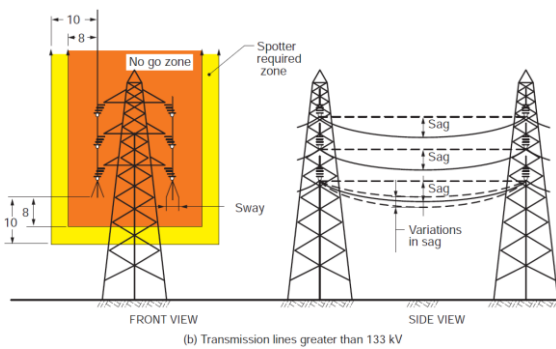
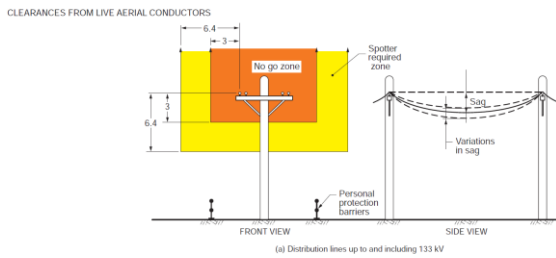
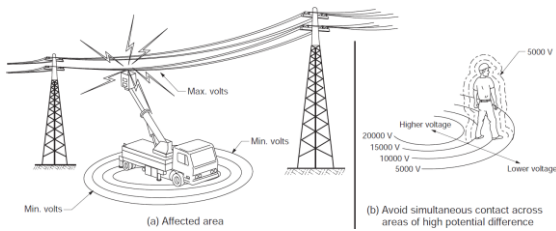
Maintenance Hazards

- Shut off power to all controls and ensure that all moving parts are secured from inadvertent motion prior to performing any adjustments or repairs.
- Never work under an elevated platform until it has been fully lowered to the full down position, if possible, or otherwise supported and restrained from movement with appropriate safety props or overhead supports.
- DO NOT attempt to repair or tighten any hydraulic hoses or fittings while the machine is powered on or when the hydraulic system is under pressure.
- Always relieve hydraulic pressure from all hydraulic circuits before loosening or removing hydraulic components.
- DO NOT use your hand to check for leaks. Use a piece of cardboard or paper to search for leaks. Wear gloves to help protect hands from spraying fluid.



- Use only replacement parts or components that are approved by AXCS Equipment. To be considered approved, replacement parts or components must be identical or equivalent to original parts or components.
- Never attempt to move heavy parts without the aid of a mechanical device. Do not allow heavy objects to rest in an unstable position. Ensure adequate support is provided when raising components of the machine.
- Use only approved non-flammable cleaning solvents.
- Do not replace items critical to stability, such as batteries or solid tires, with items of different weight or specification. Do not modify the MEWP in any way to affect stability.

Minimum Safe Approach Distance



When working in the area of energized conductors the user shall direct and the operator shall comply with the requirements to:

Stay at least 3,05 m away from power lines with any part of their body, conductive object or any part of the MEWP.

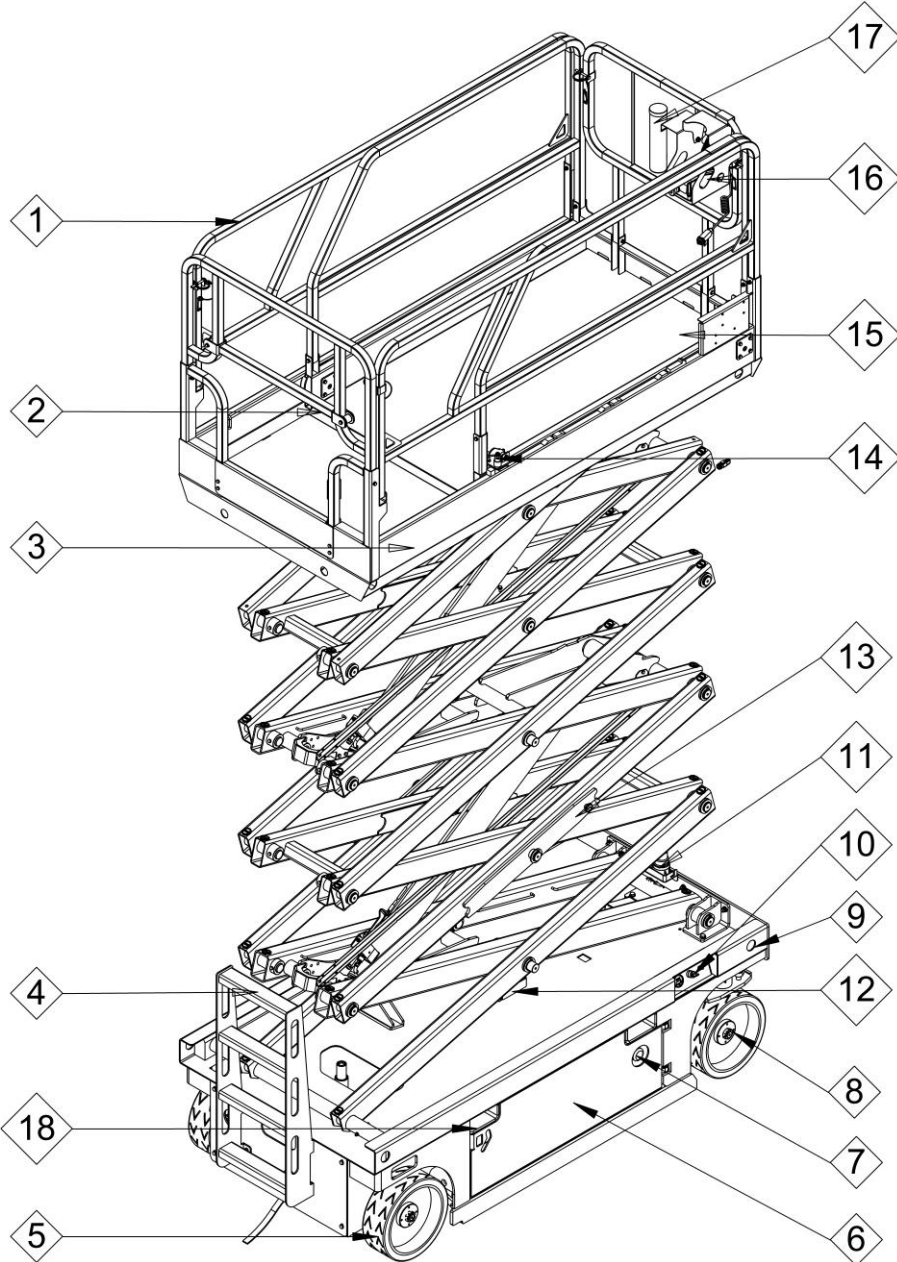
If work requires working nearer than 3,05 m, stop and consult a qualified person with respect to electrical transmission and distribution to have appropriate measures taken (such as deenergizing and grounding).

If there is a question that the power lines may carry more than 50 kV, consult a qualified person with respect to electrical transmission and distribution before proceeding.

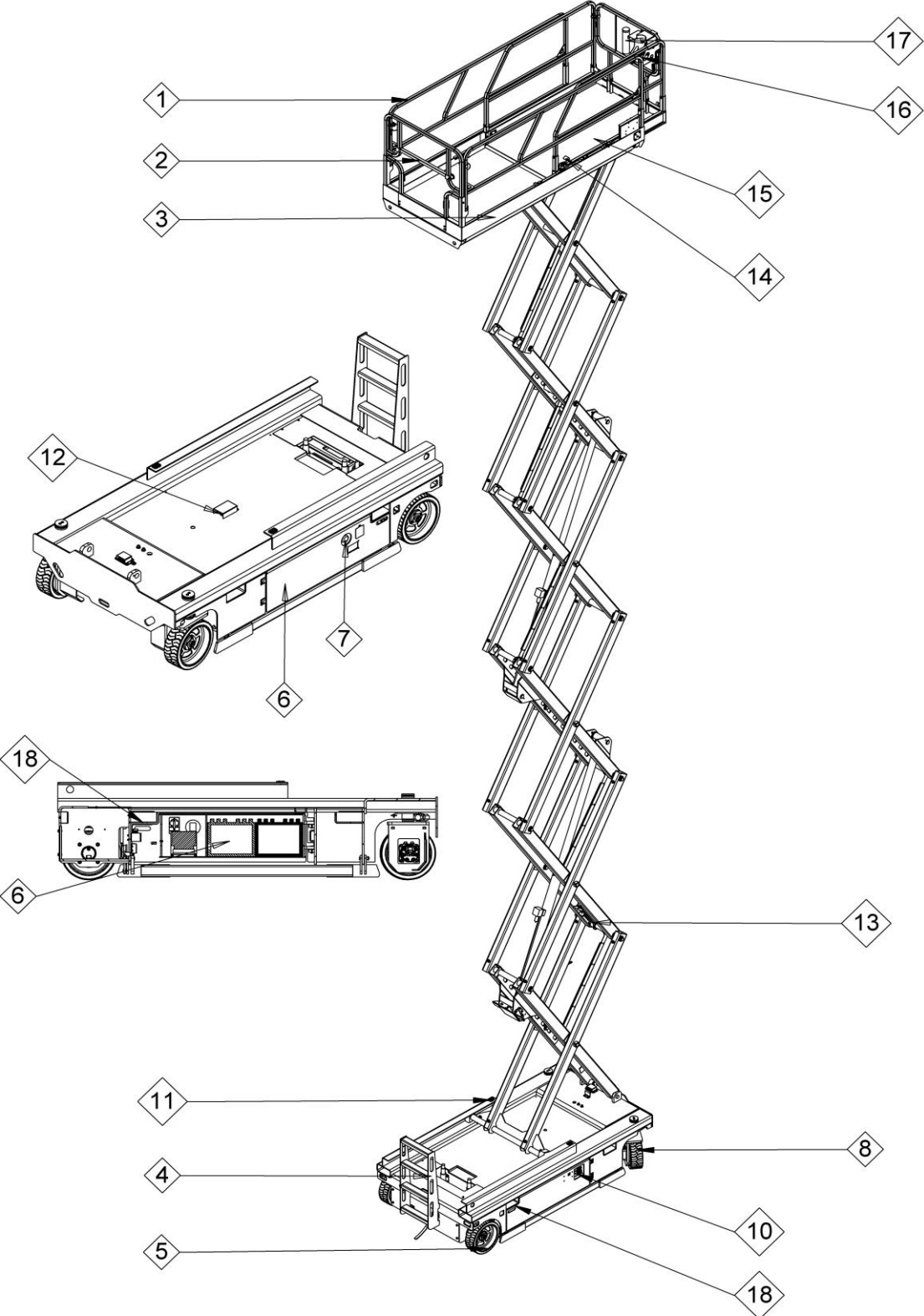
If working or approaching closer than explained above, it shall only be done by a qualified person with respect to electrical transmission and distribution. Only qualified persons may work on electric circuit parts or equipment that has not been de-energized. Such persons shall be capable of working safely on energized circuits and shall be familiar with the proper use of special precautionary techniques, personal protective equipment, insulating and shielding materials and insulated tools.

MEWP Overview

EL-2645e, EL-3245e, EL-4045e



EL-4555XCe



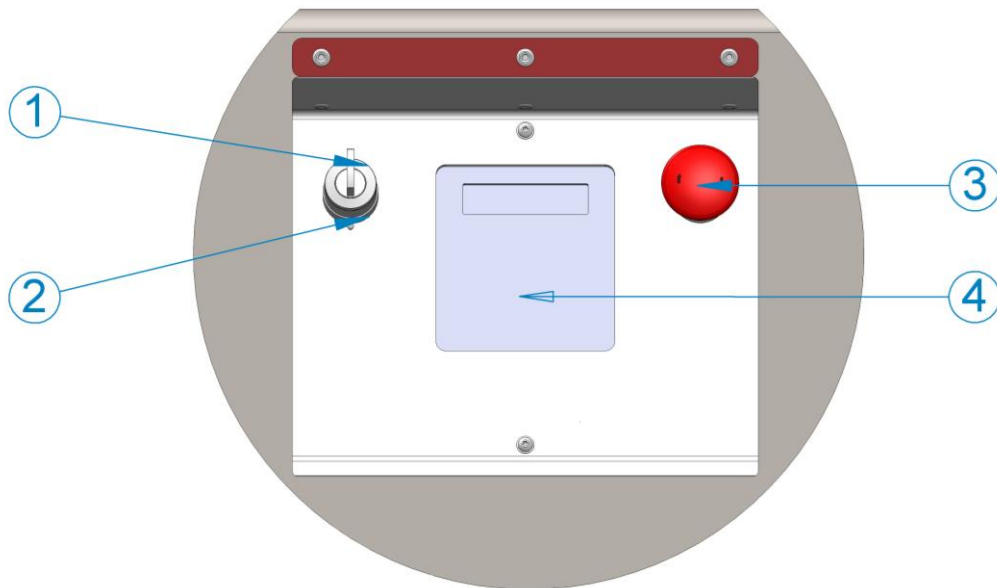
1. Platform Guide Rails
2. Platform Entry Gate
3. Platform
4. Platform Access Ladder
5. Driving Wheels
6. Batteries
7. Emergency Stop Button
8. Steer Wheels
9. Transport and Fixing Point
10. Ground Control Panel
11. Flashlight
12. Tilt Sensor
13. Maintenance Rod
14. Platform Extension Lock
15. Platform Extension
16. Platform Control Panel
17. Guide Storage Container
18. Forklift Pocket

Platform Control Panel (6 Buttons Option)



1. Emergency Stop Button
 - Pull out to activate the Emergency Stop button to enable all functions. Push the Emergency Stop button to off position to shut all functions.
2. Right Turn Key
 - When the right turn key is pressed when holding the function enable button, tires are steered rightward.
3. Left Turn Key
 - When the left turn key is pressed when holding the function enable button, tires are steered leftward.
4. Function Enable Button
 - To enable the functions, press and hold the function enable button in the control handle.
5. Platform Up/Down Enable Button (Lift Function Button)
 - To enable the platform up/down function, press the platform up/down switch on the platform control panel.
6. Horn Button
7. Slow Drive Enable Button
 - To enable the slow drive function, press the slow drive switch on the platform control panel.
8. Drive Function Enable Button
 - To enable the drive function, press the drive switch on the platform control panel.
9. Fault Display

Ground Control Panel (6 Buttons Option)



1. Platform Control Key Switch
 - Turn the platform control select switch. The platform control panel functions will be enabled.
2. Ground Control Key Switch
 - Turn the ground control select switch. The ground control panel functions will be enabled.

3. Emergency Stop Button
4. LCD Screen
5. Menu Up Button
6. Menu Exit Button
7. Function Enable Button
8. Menu Down Button
9. Function Confirmation Button
10. Platform Up Button
11. Platform Down Button



- ❖ The machines have two working positions. The machine can be controlled both from the ground control panel and from the platform control panel.
- ❖ From the ground control panel of the machine; only the platform can be raised or lowered.

Inspection



Do not operate this machine unless the following conditions are met:

- ✓ Get familiar with and implement the safe operation principles illustrated in this manual.
- 1. Avoid dangerous conditions.
- 2. Always perform a pre-operation inspection.

Get familiar with and understand the pre-operation inspection before proceeding with the next section.

1. Always perform function tests before operation.
2. Examine the service area.
3. Use this machine appropriately and only for its intended purpose.

Pre-operation Inspection Fundamentals

It is the responsibility of the operator to perform a pre-operation inspection and routine maintenance.

The pre-operation inspection is a visual inspection performed by the operator prior to each work shift.

The inspection is designed to discover if anything is apparently wrong with a machine before the operator performs the function tests.

The pre-operation inspection also serves to determine if routine maintenance procedures are required. Only the routine maintenance items specified in this manual may be performed by the operator.

Refer to the list on the next page and check each of the items.

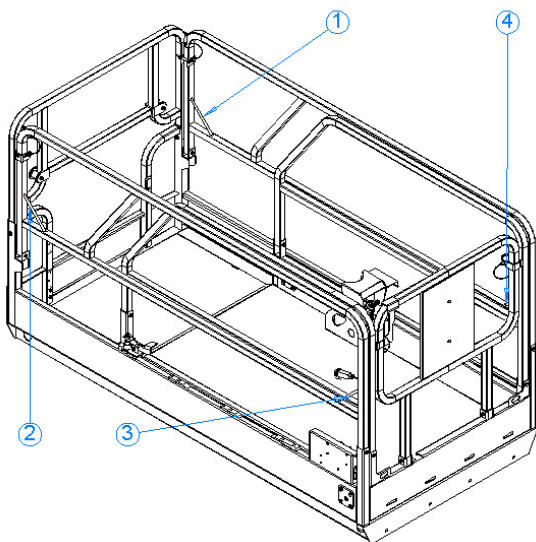
If damage or any unauthorized variation from factory delivered condition is discovered, the machine must be tagged and removed from service.

Repairs to the machine may only be made by a qualified service technician, according to the manufacturer's specifications. After repairs are completed, the operator must perform a pre-operation inspection again before proceeding with the function tests.

Scheduled maintenance inspections shall be performed only by qualified service technicians, according to the manufacturer's specifications and the requirements listed in the responsibilities manual.

Pre-operation Inspection

- ✓ Be sure the operator's, safety, and responsibilities manuals are complete, legible and in the storage container located on the platform.
- ✓ Be sure that all decals are legible and in place. See the Inspections section.
- ✓ Check for hydraulic oil leaks and proper oil level. Add oil if needed.
- ✓ Check for battery fluid leaks and proper fluid level. Add distilled water if needed.
- ✓ Keep gate and surrounding area clean and unobstructed. Ensure the gate closes properly and is not bent or damaged. Keep gate closed at all times except when entering/ exiting the platform and loading/unloading materials.
- ✓ Recommends personnel in the platform wear a full body harness with a lanyard attached to an authorized lanyard anchorages (1), (2), (3) and (4).



Check the following components or areas for damage, improperly installed or missing parts and unauthorized modifications:

- ✓ Electrical components, wiring and electrical cables
- ✓ Hydraulic hoses, fittings, cylinders and manifolds
- ✓ Hydraulic tank
- ✓ Motors
- ✓ Tires and wheels
- ✓ Limit switches and horn
- ✓ Beacon and alarms (if equipped)
- ✓ Nuts, bolts and other fasteners
- ✓ Scissor pins and retaining fasteners
- ✓ Maintenance rod
- ✓ Platform extension
- ✓ Earth wire
- ✓ Battery pack and connections
- ✓ Platform control joystick
- ✓ Platform entry gate
- ✓ Brake release components
- ✓ Pothole guards

Check entire machine for:

- ✓ Cracks in welds or structural components
- ✓ Dents or damage to machine
- ✓ Excessive rust, corrosion or oxidation
- ✓ Be sure that all structural and other critical components are present, all associated fasteners, and pins are in place and properly tightened.
- ✓ Make sure that batteries are in place and properly connected.
- ✓ After the inspection is complete, be sure that all component covers are in place and latched.

Inspection at the Ground Control Panel

Emergency Stop Test

Switch the Emergency Stop button on the ground to off position. After this procedure, no function should be active.

Testing the Up/Down Function

- Switch the Emergency Stop button to on position.
- Do not turn the switch to the ground or platform control position.
- Move up or down the toggle switch.
- The platform should not move up or down.
- Switch the Emergency Stop button to on position.
- Turn the switch to the ground control position.
- Do not move up or down the toggle switch.
- The platform should not move up or down.
- Switch the Emergency Stop button to on position.
- Turn the switch to the ground control position.
- Move up or down the toggle switch.
- The platform should move up or down.

Testing the Emergency Lowering Cable

The emergency lowering cable provides safe descending if the platform cannot be moved down due to machine malfunction.

Inspection at the Platform Control Panel

Emergency Stop Test

Switch the Emergency Stop button on the platform to off position. After this procedure, no function should be active.

Testing the Horn

- Switch the Emergency Stop button to on position.
- Turn the switch to the platform control position.
- Push the horn button.
- The horn should sound.

Testing the Up/Down Function

- Switch the Emergency Stop button to on position.
- Turn the switch to the platform control position.
- Do not press the platform up/down button.
- Press and hold the function enable button on the control handle.
- Move up or down the control handle.
- The platform should not move up or down.
- Switch the Emergency Stop button to on position.
- Turn the switch to the platform control position.
- Press the platform up/down button.
- Do not press the function enable button in the control handle.
- Move up or down the control handle.

- The platform should not move up or down.
- Switch the Emergency Stop button to on position.
- Turn the switch to the platform control position.
- Press the platform up/down button.
- Press and hold the function enable button on the control handle.
- Move up or down the control handle.
- The platform should move up or down.
- Switch the Emergency Stop button to on position.
- Turn the switch to the platform control position.
- Press the drive button.
- Press and hold the function enable button on the control handle.
- Move forward or backward the control handle.
- Machine should move forward or backward.

Testing the Drive Function

- Switch the Emergency Stop button to on position.
- Turn the switch to the platform control position.
- Do not press the drive button.
- Press and hold the function enable button on the control handle.
- Move forward or backward the control handle.
- Machine should not move forward or backward.
- Switch the Emergency Stop button to on position.
- Turn the switch to the platform control position.
- Press the drive button.
- Do not press the function enable button in the control handle.
- Move forward or backward the control handle.
- Machine should not move forward or backward.

Testing the Steer Function

When performing the steer function test, stand in the platform facing the steer end of the machine.

- Switch the Emergency Stop button to on position.
- Turn the switch to the platform control position.
- Press the drive button.
- Press and hold the function enable button on the control handle.
- Press one of the right/left direction keys on the control handle.
- The steer wheels should turn in the direction indicated by the key pressed.

Testing the Pothole Guard

- Raise the platform.
- The pothole guards should deploy.
- Lower the platform.
- The pothole guards should return to the retracted position.

Testing the Braking System


- Switch the Emergency Stop button to on position.
- Turn the switch to the platform control position.
- Press the drive button.
- Press and hold the function enable button on the control handle.
- Slowly move the control handle away from the centre position according to the arrows on the control panel.

Slowly return the control handle to the centre position.

- The machine should move forward or backward according to the user's command and then come to stop when the handle is returned to centre position.
- Raise the platform.
- The pothole guards should deploy.
- Lower the platform.
- The pothole guards should return to the retracted position.

Test the Outdoor Use Button

- Do not press and hold the function enable switch on control handle.
- Press the outdoor use button. Result: The LED under the outdoor button will illuminate.
- Press the lift function enable button.
- Press and hold the drive/steer function enable switch on the control handle. Slowly move the control handle in the direction indicated by the blue arrow.
Result: The platform should raise to a maximum outdoor height and stop. The alarm should sound.

 **WARNING** If the machine does not operate properly, turn off the machine immediately! Report the problem to the proper maintenance personnel. Do not operate the machine until it is declared safe for operation.

Instructions for Use



Do Not Operate Unless:

You learn and practice the principles of safe machine operation contained in this operator's manual.

1. Avoid hazardous situations.
2. Always perform a pre-operation inspection.
3. Inspect the workplace.
4. Always perform function tests before operation.

Know and understand the function tests before going on to the next section.

5. Use this machine appropriately and only for its intended purpose.

Fundamentals

This machine is a self-propelled electric lift equipped with a work platform on the scissor mechanism. Vibrations emitted by these machines are not hazardous to an operator in the work platform. The machine can be used to position personnel with their tools and supplies at position above ground level and can be used to reach work areas located above machinery or equipment.

The Operating Instructions section provides instructions for each aspect of machine operation.

It is the operator's responsibility to follow all the safety rules and instructions in the operator's manual.

Workplace Inspection

Be aware of and avoid the following hazardous situations:

- Drop-offs or holes
- Bumps, floor obstructions or debris
- Sloped surfaces
- Unstable or slippery surfaces
- Overhead obstructions and high voltage conductors
- Hazardous locations
- Inadequate surface support to withstand all load forces imposed by the machine
- Wind and weather conditions
- The presence of unauthorized personnel
- Other possible unsafe conditions

Emergency Stop

Push in the red Emergency Stop button to the off position at the ground controls or the platform controls to stop all machine functions. Repair any function that operates when either red.

Emergency Stop button is pushed in.

Emergency Lowering

1. Pull the emergency lowering knob.

Operation from the Ground Control Panel

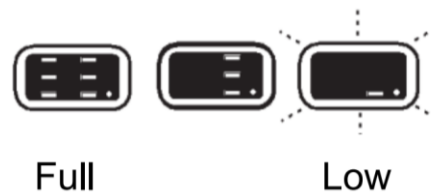
1. Turn the key switch to the ground control position.
2. Switch both the platform and ground Emergency Stop buttons to the on position.

To Position the Platform

1. Use the platform up/down switch from the ground control panel to enable the lift position.
2. Move the platform using the platform up/down keys.

Drive and steer commands are not present on the ground control panel.

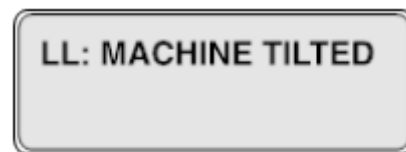
Battery Level Indicator



Use the LED readout screen to determine the battery level.

Operational indicator codes

If the platform controls LED or ground controls LCD diagnostic readout displays an operational indicator code such as LL, the fault condition must be repaired or removed before resuming machine operation. Push in and pull out the red Emergency Stop button to reset the system.



LCD Readout

If the platform controls LED diagnostic readout displays a flashing OL and the ground controls LCD diagnostic readout displays OL: Platform Overloaded, the platform is overloaded and no functions will operate. An alarm will sound.

1. Push in the red Emergency Stop button to the off position.
2. Remove weight from the platform.
3. Pull out the red Emergency Stop button to the on position



LCD Readout

How to use the Safety Arm

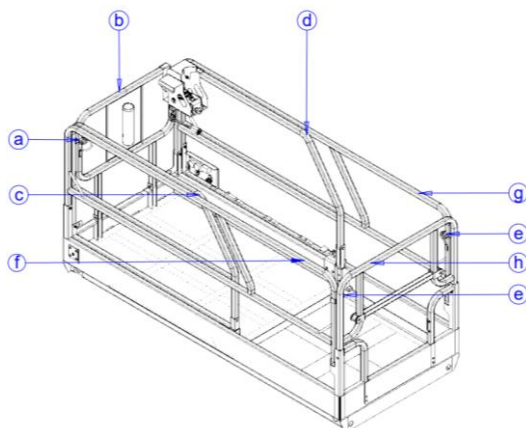
1. Raise the platform until the distance of the two sets of scissor.
2. Lift the safety arm, move it to the center of the scissor arm and rotate down to a vertical position.
3. Lower the platform until the safety arm rests securely on the link. Keep clear of the safety arm when lowering the platform.

Don't engage the safety arm unless unload the platform.

How to Fold Down the Guardrails

The platform railing system consists of three fold down rail section for the extension deck and three sections for the main deck. All sections are held in place by four wire lock pins.

1. Fully lower the platform and retract the platform extension.
2. Remove the platform controls.
3. Remove the pins on the front railing. (a)
4. Fold the inner balcony-front railing (be careful not to get your feet or hands stuck while folding). (b)



5. Fold the inner balcony-left side rail. (c)

6. Fold the inner balcony-right side rail. (d)
7. Remove the pins on the rear rail. (e)
8. Fold the outer balcony-left side rail. (f)
9. Fold the outer balcony-right side rail. (g)
10. Finally, fold the door-welding piece and the balcony is folded. (h)

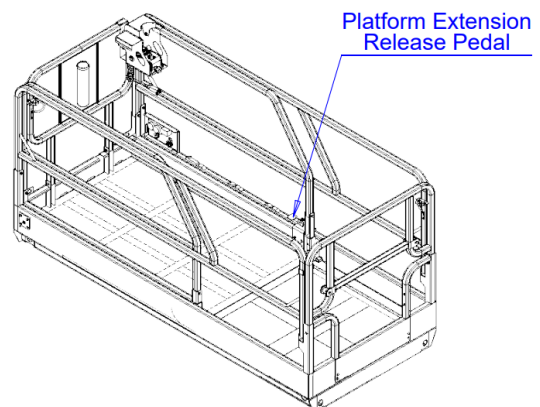
How to Raise the Guardrails

Follow the fold down instructions but in reverse order.

To Extend and Retract Platform

1. Press the platform lock pin pedal on the extension deck by foot.
2. Push the platform extension guardrail to extend the platform to the desired position.

Do not stand on the platform extension while trying to extend it.

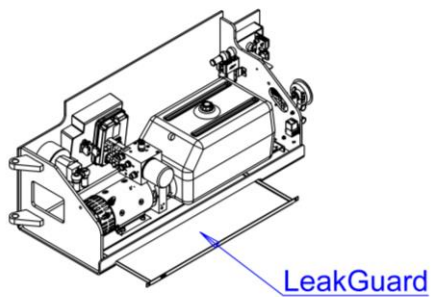


When closing the platform extension, the pedal will be pressed again and it will be pulled towards itself.

LeakGuard Fluid Containment System

If this unit is equipped with the LeakGuard Fluid Containment System, routine inspection should take place. Take off the pump side (hydraulic drawer) cover of the scissors lift, and check the LeakGuard tray/pad for hydraulic fluid.

While conducting inspection, be certain to wear gloves and other equipment as necessary. If the pad must be replaced, contact the owner for maintenance.



Operation from the Platform Control

Panel

1. Turn the key switch to the platform control position.
2. Switch both the platform and ground Emergency Stop buttons to the on position.

To Position the Platform

1. Press the lift function button from the platform control panel to enable the lift function.
2. Press and hold the function enable button on the control handle.
3. Move the control handle according to the markings on the control panel.

Steer Function

1. Press the drive function button on the platform control panel.
2. Press and hold the function enable button on the control handle.
3. Press the keys on the control handle to steer the tires.

Drive Function

1. Press the drive function button on the platform control panel.
2. Press and hold the function enable button on the control handle.
3. Move the control handle according to the markings on the control panel.
4. Slowly move the control handle away from the centre position to accelerate.
5. Slowly move the control handle to the centre position to decelerate.
6. Return the control handle to the centre position or release function enable button to stop.

To define the motion direction of the machine, act according to the markings on the control panel.

Machine motion speed is limited when the platform is raised.

Battery level affects the machine performance. If the battery level is low, machine functions slow down.

Battery and Charger Instructions



Observe and Obey:

- Do not use an external charger or booster battery.
- Charge the battery in a well-ventilated area.
- Use proper AC input voltage for charging as indicated on the charger.
- Use only an AXCS Equipment authorized battery and charger.
- Charge the battery as soon as receive the machine or after long distance transportation.
- When the battery is stored for a long time, it needs to be charged regularly. Failure to charge in time may permanently damage the battery.

Charging the Battery

Be sure the batteries are connected before charging the batteries.

1. Open the battery compartment. The compartment should remain open for the entire charging cycle.

Maintenance - Free Batteries

1. Connect the battery charger to a grounded AC circuit.
2. The charger will indicate when the battery is fully charged.

Standard Batteries

1. Open the rotary plate covers. Covers should remain open for the entire charging cycle.
2. Switch the Emergency Stop button on the rotary plate to on position.
3. Remove the battery vent caps and check the battery electrolyte level. If necessary, add distilled water in an amount such that water level exceeds the plate in each battery cell by 1 cm. Do not overfill.
4. Do not charge the battery if battery electrolyte temperature is above 40°C. Allow the electrolyte to cool down before charging the batteries.
5. Clean and re-place the battery vent caps.
6. Connect the battery charger to a grounded AC circuit. Do not interrupt the charging cycle on it has started. A typical charging cycle lasts almost 10 hours and requires that batteries are depleted by 70% to 80%.
7. The charger will indicate when the battery is fully charged.
8. Once charging cycle is complete, remove the battery vent caps and check the battery electrolyte level. Replenish with distilled water in an amount such that water level exceeds the plate in each battery cell by 1 cm. Do not overfill.
9. Re-place the battery vent caps.
10. Unplug the charger from the AC power supply.
11. Close and lock the battery vent caps.
12. Pull the Emergency Stop button to on position.

Lithium battery

1. During the charging operation, professional personnel should take care of it. During the charging process, the plug and socket should be in good contact, the charging equipment should work normally, and the connection points of the battery pack should be in good contact. If something goes wrong, it needs to be fixed before it can be charged.
2. During charging and discharging, try to avoid water or other conductive objects splashing on the battery cover and pole.
3. Avoid charging at low temperature (below 0 °C) to ensure battery life.

Dry Battery Filling and Charging Instructions

1. Open the rotary plate covers. Covers should remain open for the entire charging cycle.
2. Remove the battery vent caps and permanently remove the plastic seal from the battery vent openings.
3. Fill each cell with battery electrolyte until the level is sufficient to cover the plates. Do not fill to maximum level until the battery charge cycle is complete. Overfilling can cause the battery acid to overflow during charging. Neutralize battery acid spills with baking soda and water.
4. Re-place the battery vent caps.
5. Press the Emergency Stop button.

6. Connect the battery charger to a grounded AC circuit. Do not interrupt the charging cycle on it has started.
7. The charger will indicate when the battery is fully charged.
8. Once charging cycle is complete, remove the battery vent caps and check the battery electrolyte level. Replenish with distilled water in an amount such that water level exceeds the plate in each battery cell by 1 cm. Do not overfill.

Checking the Batteries

Proper battery condition is essential to good machine performance and operational safety. Improper fluid levels or damaged cables and connections can result in component damage and hazardous conditions.

Note: This procedure does not need to be performed on machines with sealed or maintenance-free batteries.

Electrocution hazard: Contact with hot or live circuits may result in death or serious injury. Remove all rings, watches and other jewellery.

Batteries contain acid. Avoid spilling or contacting battery acid.

Neutralize battery acid spills with baking soda and water.

Perform this test after fully charging the batteries.

1. Put on protective clothing and eye wear.
2. Check battery connections. Be sure that they are tight and free of corrosion.
3. Be sure that the battery hold-down brackets are in place and secure.

Operating Characteristics and Limitations

Labels

Important points to remember during operation are provided at the control stations by “danger, warning, caution, notice, important and instruction” labels. This information is placed at various locations for the express purpose of alerting personnel of potential hazards constituted by the operating characteristics and limitations of the machine.

Capacities

Raising platform above horizontal with or without any load in platform is based on the following criteria:

1. Machine is positioned on a smooth, firm surface within the limits of the maximum operating slope.
2. Load is within manufacturer's rated capacity.
3. All machine systems are functioning properly.

Stability

This machine, as originally manufactured by AXCS Equipment and operated within its rated capacity on a smooth, firm surface, within the limits of the maximum operating slope, provides a stable aerial platform for all platform positions.

Platform Loading

The platform maximum rated load capacity is shown on a label located on the platform railing, the machine positioned on a smooth, firm surface within the limits of the maximum operating slope. Refer to Section “Specifications” for the maximum platform capacity. The platform is entered through an entry gate at the rear of the platform. Keep entry gate closed at all times except when entering/exiting the platform and loading/unloading materials.

Lubrication

Hydraulic Tank Capacity – EL-2645e

- Hydraulic Tank capacity 20.7 L

Hydraulic Tank Capacity – EL-3245e

- Hydraulic Tank capacity 20.7 L

Hydraulic Tank Capacity – EL-4045e

- Hydraulic Tank capacity 20.7 L

Hydraulic Tank Capacity – EL-4555XCe

- Hydraulic Tank capacity 20.7 L

Transport and Lifting Instructions



- ✓ Only qualified aerial lifting operators should load or unload the machine on/from a truck.
- ✓ The transport vehicle must be parked on a level surface.
- ✓ The transport vehicle must be secured to prevent rolling while the machine is being loaded.
- ✓ Be sure the vehicle capacity, loading surfaces and chains or straps are sufficient to withstand the machine weight. See the serial plate for the machine weight.
- ✓ Do not drive the machine on a slope that exceeds the slope or side slope rating. See "Driving on a Slope" in the Operating Instructions.
- ✓ If the slope of the transport vehicle bed exceeds the maximum slope rating, the machine must be loaded and unloaded using a winch as described. See "Specifications" for slope ratings.

Securing to Truck or Trailer for Transit

Turn the key switch to the off position and remove the key before transporting.

Inspect the entire machine for loose or unsecured items.

Use chains in case load volume is high.

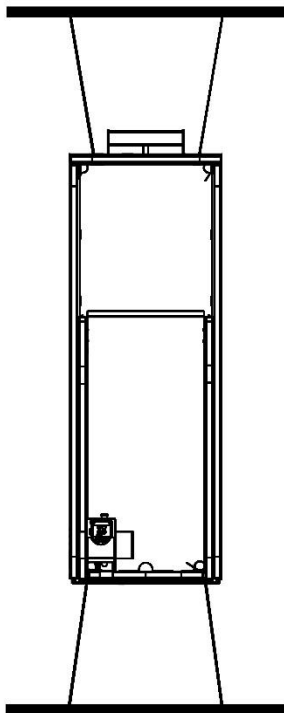
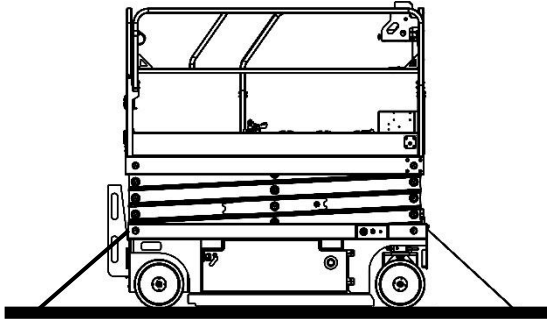
Make sure that chains or straps are of ample load capacity.

Use a minimum of 2 chains or straps.

Adjust the rigging to prevent damage to the chains.

After loading the machine:

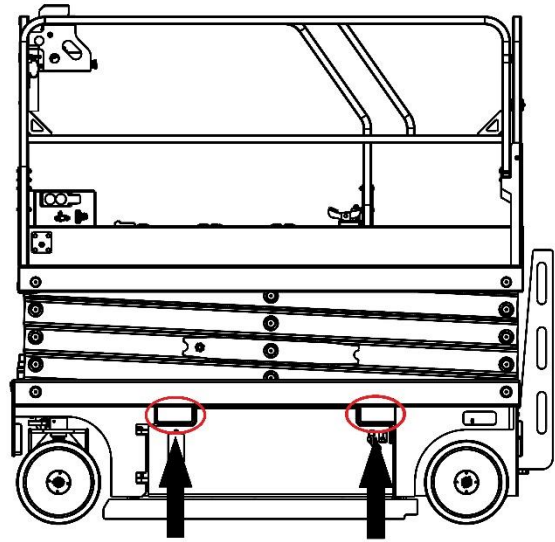
1. Chock the wheels to prevent the machine from rolling.
2. Switch the Emergency Stop buttons on the ground and platform control panels to off position.



EL-2645e, EL-3245e, EL-4045e, EL-4555XCe

Observe and Obey:

- ✓ Only qualified crane operators should prepare and lift the machine.
- ✓ Be sure the crane capacity, loading surfaces and straps or lines are sufficient to withstand the machine weight. See the serial plate for the machine weight.

**Lifting the Machine with a Forklift****EL-2645e, EL-3245e, EL-4045e, EL-4555XCe**

1. Turn the key switch to the off position and remove the key before transporting.
 2. Inspect the entire machine for loose or unsecured items.
 3. Make sure to fully lower the platform.
 4. Use the forklift pockets located on both sides of the ladder.
 5. Position the forklift forks in position with the forklift pockets.
 6. Drive forward to the full extent of the forks.
 7. Raise the machine by 0.5 m and then tilt the forks back slightly to keep the machine secure.
 8. Be sure the machine is level when lowering the forks.
- ❖ Never lift the machine from the sides.

Storage



Observe and Obey:

The storage of the machine shall be as follows, incorrect storage may affect the performance and service life of the machine

- 1- The machine should be stored indoor and the ground should be firm and level. If be stored in outdoor condition the machine should be covered to prevent the water and dust.
- 2- Ensure the machine have been cleaned and the functional before stop to the storage. Repair and maintain it if necessary.
- 3- Stop the machine in suitable position so as the drive or move the machines conveniently.

Rust Protection

Inspecting the paint before the machine is put into storage will partially protect the machine from damage. If there is damage, the machine is repaint.

For moving parts, grease can be applied to prevent rust, such as bearings, joints and sliding rails.

⚠ WARNING The machine be stored long time cannot be used to service until it has been inspected and maintained according to the daily check procedure.

Lithium Battery Storage

1. When storing the machine for a long time, be sure to turn off the main power switch, key switch and emergency stop switch and fully charge it.
2. In order to avoid the loss of power and the impact on the service life of the battery, the negative pole of the battery should be removed and the lithium battery should be charged regularly once a month.
3. Lithium batteries should be stored in a dry, frost-free room.
4. Avoid contact between lithium batteries and corrosive objects, and keep away from places with fire sources and heat sources. The electrode should be insulated when stored (e.g. cover with protective cover) to ensure that no metal part is exposed to prevent short circuit.
5. If there are more than 10 groups of batteries in centralized storage, it is better to install a camera for 24-hour monitoring.

The following conditions can result in battery serious injuries:

- Leave the Key Switch, Emergency Switch or Power Switch on.
- Forget to charge the battery regularly when storing the machine for a long time.

How to Store the Batteries

- 1- When storing the machine for a long time (one month to six months) be sure to turn off the main power switch, key switch and emergency stop button, fully charge. In order to ensure that these batteries stay ready for operation, the following charging procedures must be applied:

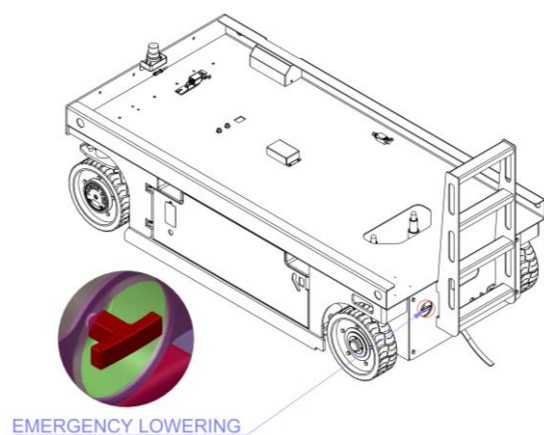
The machine or check the voltage of each battery on the machine once a month to ensure that the voltage of battery is not lower than 25.2 V, otherwise please charge the machine immediately.

- 2- When storing the machine for a long time (half a year or more), should be fully charged state. The batteries should be removed from the machine. Keep the batteries being clean and ensure nothing being placed on the top of batteries. The batteries connection should be shut down as bellow. Shut down the wire from the negative pole first the shut down the wires from the positive pole. The batteries should be connected as bellow: First connect the positive power wires with the positive pole then connect the negative cable line to the negative pole finally. In order to ensure that these batteries stay ready for operation, the batteries should be charged one time in every quarter.

Emergency Lowering

Emergency lowering is required if the operator in the platform is no longer capable of controlling the movements even though the machine operates normally. A ground operator trained in using the emergency controls and in possession of the key switch can operate the ground control box with the main power source to lower the platform operator.

When the machine needs to be lowered in an emergency, the emergency lowering procedure must be carried out. For this, operator safety must be ensured first. Then the necessary safety precautions should be taken around the machine (For example; preventing the machine from approaching the platform of the machine while lowering the machine). In order to perform the emergency lowering, the emergency lowering knob, which is also shown in the visual of the machine, is pulled outwards and the machine is lowered safely.



- By pulling the emergency lowering knob, the descending oil circuit of the lower oil cylinder will be opened; if the machine is a dual-cylinder model, the hydraulic oil in the upper oil cylinder will also flow out of the upper oil cylinder through the relief valve, thus realizing the emergency lowering of the platform.

NOTICE

After the machine is safely lowered to the ground, solutions should be sought for the problem of the machine and the machine should not be used again until the problem of the machine is solved.

Note: When performing emergency descent in this way, the decent delay function will be invalid.

⚠ WARNING If the machine is stuck or hooked in surrounding structures or equipment, it is essential to release the operator's before intervening on the machine.

PERSONNEL TRAINING

The Mobile Elevating Work Platform (MEWP) is a personnel handling device, so it is necessary that it be operated and maintained only by trained personnel.

Operator Training

Operator training must cover:

1. Reading and understanding the Operation and Safety Manual.
2. Thorough understanding of the intended purpose and function of the MEWP controls, including platform, ground, and emergency descent controls.
3. Control labels, instructions, and warnings on the machine.
4. Applicable regulations, standards, and safety rules.
5. Use of approved fall protection equipment.
6. Enough knowledge of the mechanical operation of the machine to recognize a malfunction or potential malfunction.
7. The safest means to operate the machine where overhead obstructions, other moving equipment, and obstacles, depressions, holes, and drop-offs exist.
8. Means to avoid the hazards of unprotected electrical conductors.
9. Selection of the appropriate MEWP and available options for the work to be performed considering specific job requirements, with involvement from the MEWP owner, user, and/ or supervisor.

10. The responsibility of the operator to ensure all platform occupants have a basic level of knowledge to work safely on the MEWP, and to inform them of applicable regulations, standards, and safety rules.
11. The requirement for familiarization in addition to training.

Training Supervision

Training must be delivered by a qualified person in an open area free of hazards until the trainee has demonstrated the ability to safely control and operate the machine.

Operator Responsibility

The operator must be instructed that they have the responsibility and authority to shut down the machine in case of a malfunction or other unsafe condition of either the machine or the job site.

NOTICE

In case of an emergency while there are personnel working on the platform (in case the machine runs out of battery or a malfunction occurs); there must be a personnel on the ground to lower the machine

Periodic Maintenance Schedule

Periodic Maintenance and Inspection	Daily	Every 50 hours	Every 250 hours	Every 500 hours	Every 1000 hours	Every 2000 hours
Hydraulic oil	•					
Batteries	•					
Battery Charge Level	•					
Sealing of Connectors and Batteries	•					
Hydraulic Oil Filter	•					
Emergency Lowering Function	•					
Checking the Locking Mechanism and Spring Hinge on the Platform	•					
Seat Belt Anchor Locations Check	•					
Clogged Cartridge of the Hydraulic Oil Filter		•				
Battery Cable Condition		•				
Screws and Bolts		•				
Motor Mounting Screw		•				
Tire Mounting Screw		•				
Hydraulic Oil Filter Cartridge			•			
Battery Charger Connection			•			
Battery Water Levels			•			
Electrical Wiring			•			
Tires and Wheels			•			
Emergency Stop			•			
Key Switch			•			
Horn			•			
Drive Brakes			•			
Drive Speed – Stowed Position			•			

Drive Speed – Raised Position			.			
Slow Drive Speed			.			
Hydraulic Oil Analysis			.			
Hydraulic Tank Cap Venting System			.			
Maintenance of the Area Where the Wedge Moves			.			
Pothole Limit Switches and the Level Sensor			.			
Platform Overload System				.		
Hydraulic Tank Breather Cap				.		
Draining the Hydraulic Oil Tank					.	
Service Maintenance					.	
Cleaning the Carbon Brush of the Hydraulic Unit Motor					.	
Replacing Wheel Bearings						.
Replacement of Electrical Cables and Hydraulic Hoses						.

Pre-Start Inspection Checklist

PRE-START INSPECTION CHECKLIST				
<i>Y-Yes/Acceptable N-No/Unacceptable R-Repaired N/A-Not Equipped</i>	Y	N	R	N/A
VISUAL INSPECTIONS				
Ensure that all parts are securely attached and there are no loose or missing components.				
Verify that all warning, instructional, and informational labels are clearly visible and legible.				
Inspect the platform rails for any visible signs of damage, bending, or deformation.				
Verify that all control buttons, switches, and emergency stop mechanisms are operational and responsive.				
Check all electrical cables and wires for signs of wear, fraying or disconnection.				
Inspect hydraulic fittings and connections for tightness and proper sealing to prevent leaks.				
Check for any oil or fluid stains around hoses, as this could indicate a leak.				
Conduct a general inspection of the overall structural integrity of the platform, frame, and base.				
Ensure the platform is level and stable before use.				
Inspect wheels and axles to ensure smooth operation and no signs of cracking or excessive wear.				
FUNCTIONAL TESTS				
The gate closes automatically, latches securely, and moves smoothly without manual intervention.				
Test all switches and push buttons to ensure correct operation. Confirm all platform control systems are responsive.				
Pressing the emergency stop should immediately halt all movement and power operations.				
Verify that the button toggles between drive mode and steering mode correctly. Ensure proper response in both modes.				
The Up/Down button should raise and lower the platform smoothly.				
Ensure the joystick returns to neutral position. The joystick should allow forward/reverse movement and function correctly in drive mode.				
The enable trigger must be activated for joystick-controlled movement. Ensure the system only operates when the trigger is engaged.				
The rocker switch should allow smooth control of front wheel movement (left/right). Ensure accurate steering with no jerky movements.				

The horn should sound loudly and clearly when the button is pressed, functioning as an emergency or warning signal.				
Verify that all base control switches and push buttons function properly. Confirm smooth transition between control modes.				
Confirm that the vehicle moves at slow speed when elevated, with the platform remaining stable without excessive tilting or movement.				
Verify that all base control switches and push buttons function properly. Confirm smooth transition between control modes.				
The key switch should toggle between platform control, ground control, or off. Ensure correct system operation based on switch position.				
The rocker switch should raise and lower the platform smoothly. Confirm smooth elevation and descent with no stuttering.				
The descent/tilt alarm should activate when the platform descends or tilts beyond safe limits. Ensure alarm sounds audibly.				
Ensure front wheels rotate freely without obstruction. Verify proper wheel alignment and securely tightened lug nuts.				
Brakes should engage immediately when the joystick is released. Verify that the brakes hold the unit on a slope. Ensure proper brake disengagement and alarm sounds.				
The pothole guards should deploy automatically and lock securely when the platform is raised.				
Ensure the platform does not elevate if the pothole guards are obstructed or improperly deployed. Confirm proper visual or audible alerts for malfunction.				

Pre-Delivery/Annual/Frequent Inspection Checklist

PRE-DELIVERY/ANNUAL/FREQUENT INSPECTION CHECKLIST				
Y-Yes/Acceptable N-No/Unacceptable R-Repaired N/A-Not Equipped	Y	N	R	N/A
CHASSIS				
Ensure welds are intact, with no cracks or breaks for structural integrity.				
Check slide tracks for wear, dents, or damage that may affect operation.				
Verify that frame bolts are tight to prevent looseness or instability.				
Confirm pump is securely mounted to avoid movement or malfunctions.				
Ensure DC drive motors are tightly mounted and securely connected.				
Ensure batteries are fully charged and ready for use.				
WHEELS				
Ensure snap rings are properly installed and secure.				
Confirm bolts and nuts are tightly secured for safety.				
SCISSORS				
Ensure scissor mechanism welds are intact and free of cracks.				
Inspect beam members for bending or deformation.				
Ensure rollers function smoothly and without obstruction.				
Verify retaining rings are securely placed on pivots.				
Confirm maintenance locks are stored and connected properly.				
Ensure scissor beam tube bolts are tight and secure.				
PLATFORM				
Check rails for bending or damage; ensure they are straight and secure.				
Inspect platform for broken or cracked welds.				
Ensure rails are securely installed and positioned.				
Verify the 110V outlet is safe and functioning.				
Ensure entrance gate operates smoothly and easily.				
DECALS				
Ensure decals are clear, readable, and not damaged.				
Verify weight capacity decals match the manufacturer's specifications.				
Confirm decals are in the correct locations and meet safety compliance.				
RAILS/EXTENDING PLATFORM				
Ensure the platform extends smoothly without resistance.				
Verify cables are properly positioned and secure.				
Ensure platform locks securely in both stowed and extended positions.				
FUNCTIONS				
Ensure all functions (driving, elevating, steering) are operational.				
Confirm pothole guards deploy automatically when raised.				

Verify emergency stop button halts operation when activated.				
Ensure slow-speed mode activates with pothole bars deployed.				
Check that pothole interlock prevents movement over obstructions.				
BRAKES				
Ensure brakes function correctly and stop the unit safely.				
EMERGENCY DOWN				
Ensure emergency down function is operational for platform descent.				
WIRING				
Verify switches are securely mounted and connected.				
Ensure contactors are securely mounted without loose connections.				
Confirm terminal connections are tight with no exposed wires.				
OIL				
Ensure oil level is 1 inch from the top when the platform is stowed.				
OTHER				
Inspect hoses for leaks, wear, or damage to prevent system failure.				
Verify fittings are secure and free from leaks.				
Confirm battery charger is mounted and operational.				
Ensure elevation function is disabled when unit is tilted past the specified angle.				
Check warning horn is operational.				
Verify hour meter works for maintenance tracking.				
Ensure battery indicator provides accurate charge level information.				
Confirm the operator's manual is available for reference.				
Verify overload light and alarm are functional (annual inspection for CE Lifts)				

THIS PAGE WAS INTENTIONALLY LEFT BLANK

Specifications

MODEL		UNITS	EL-2645e	EL-3245e
WORKING HEIGHT		m	10,0	12,0
PLATFORM FLOOR HEIGHT	<i>Elevated</i>	m	8,0	10,0
TOP GUARDRAIL HEIGHT	<i>Stowed</i>	m	2,31	2,44
HORIZONTAL REACH	<i>max</i>	m	1,0	1,0
WIDTH - OVERALL		m	1,15	1,15
LENGTH - OVERALL	<i>Stowed</i>	m	2,47	2,47
MAXIMUM LIFT CAPACITY		kg	450	300
MAXIMUM OPERATING WIND SPEED		km / h	45	45
WHEEL BASE		m	1,86 m	1,86 m
BATTERIES		V / A/h	4x6 / 315	4x6 / 315
DRIVE SPEED	<i>Stowed</i>	km / h	4,5	4,5
DRIVE SPEED	<i>Elevated</i>	km / h	0,6	0,6
MAXIMUM VIBRATION		m/s ²	2,5	2,5
TOEBOARD HEIGHT		m	0,02	0,02
MACHINE WEIGHT	<i>Unloaded</i>	kg	2590	2900
NOISE PRESSURE	<i>Ground</i>	dB(A)	<70	<70
NOISE PRESSURE	<i>Platform</i>	dB(A)	<70	<70
PLATFORM LENGTH		m	2,31	2,31
PLATFORM WIDTH		m	1,14	1,14
CONTROLS		V DC	24, Proportional	24, Proportional
BATTERY CHARGER		V AC / A	100 - 240 / 30	100 - 240 / 30
TIRE SIZE		mm	Solid 381 x 127	Solid 381 x 127
GRADEABILITY X,	<i>Stowed</i>	°	14	14
	<i>Elevated</i>	°	2	2
GRADEABILITY Y,	<i>Stowed</i>	°	9	9
	<i>Elevated</i>	°	3	3

MODEL		UNITS	EL-4045e	EL-4555XCe
WORKING HEIGHT		m	13,95	15,75
PLATFORM FLOOR HEIGHT	<i>Elevated</i>	m	11,95	13,75
TOP GUARDRAIL HEIGHT	<i>Stowed</i>	m	2,44	2,64
HORIZONTAL REACH	<i>max</i>	m	1,0	1,0
WIDTH - OVERALL		m	1,15	1,39
LENGTH - OVERALL	<i>Stowed</i>	m	2,47	2,79
MAXIMUM LIFT CAPACITY		kg	300	350
MAXIMUM OPERATING WIND SPEED		km / h	45	45
WHEEL BASE		m	1,86 m	2,22
BATTERIES		V / A/h	4x6 / 315	4 x 12 (24) / 300
DRIVE SPEED	<i>Stowed</i>	km / h	4,5	4,5
DRIVE SPEED	<i>Elevated</i>	km / h	0,6	0,6
MAXIMUM VIBRATION		m/s ²	2,5	2,5
TOEBOARD HEIGHT		m	0,02	0,02
MACHINE WEIGHT	<i>Unloaded</i>	kg	3470	4000
NOISE PRESSURE	<i>Ground</i>	dba	<70	<70
NOISE PRESSURE	<i>Platform</i>	dba	<70	<70
PLATFORM LENGTH		m	2,31	2,68 – 1,31
PLATFORM WIDTH		m	1,14	2P+190 / 1P+270
CONTROLS		V DC	24, Proportional	24, Proportional
BATTERY CHARGER		V AC / A	100 - 240 / 30	100 - 240 / 30
TIRE SIZE		mm	Solid 381 x 127	Solid 381 x 127
GRADEABILITY X,	<i>Stowed</i>	°	14	14
	<i>Elevated</i>	°	2	2
GRADEABILITY Y,	<i>Stowed</i>	°	9	9
	<i>Elevated</i>	°	3	3



Self-Propelled
Mobile Elevated Work Platform
EL-2645e
EL-3245e
EL-4045e
EL-4555XCe

Operation & Maintenance
Manual

Custom Equipment, LLC
2647 Highway 175
Richfield, WI 53076
U.S.A.

 [+1.262.644.1300](tel:+12626441300)

 axcs.com

"AXCS" is a trademark of Custom
Equipment, LLC. These machines
comply with ANSI/SIA A92.20.

Revision Date: June 2025

Printed in the U.S.A.

©2025 Custom Equipment, LLC